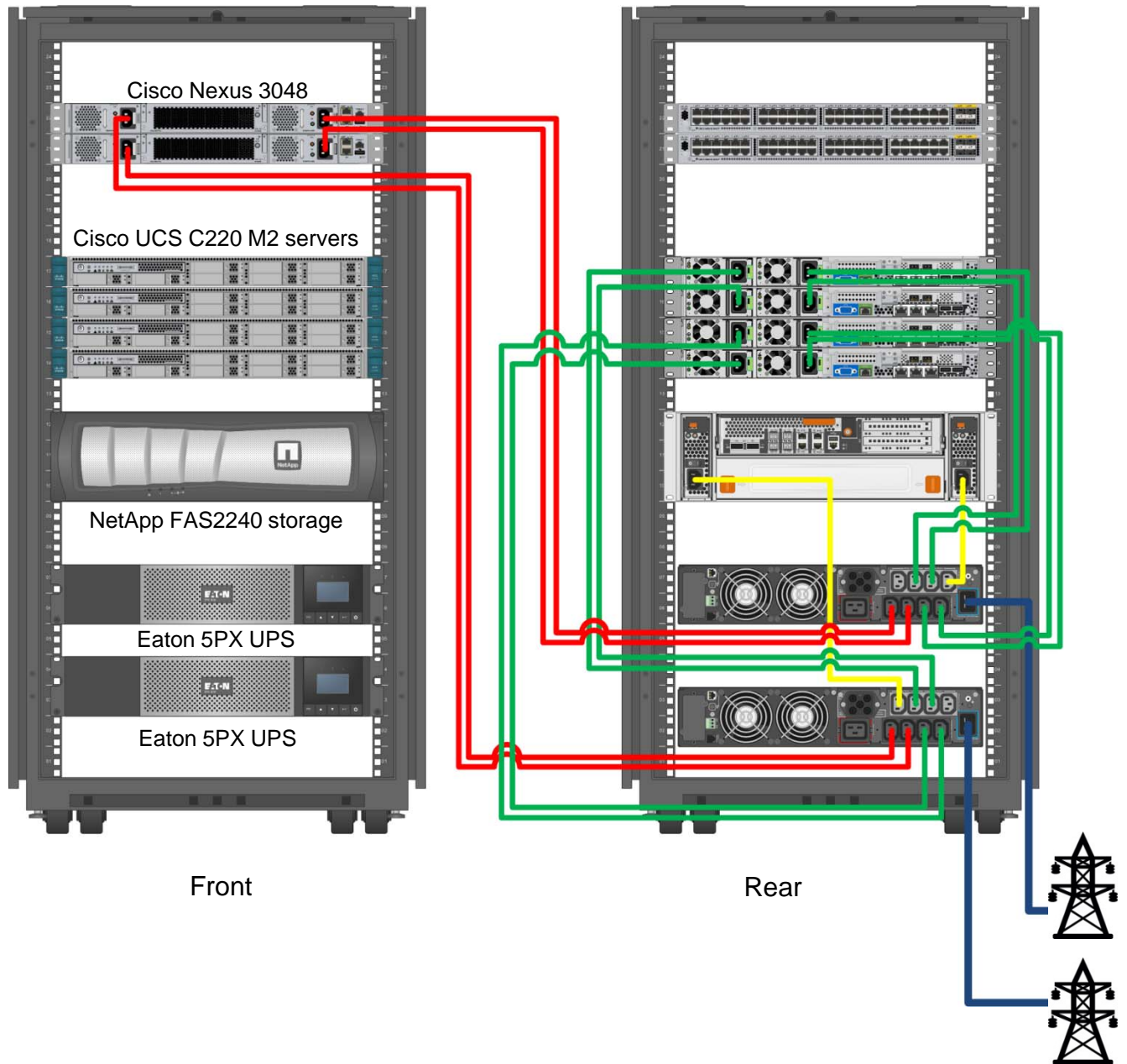


Powering medium FlexPod Express environments

Eaton medium FlexPod Express with redundant power reference design



Model/ description	Quantity	Part number	Input	Output receptacle	Benefits
Single-phase FlexPod Express configuration					
Power distribution and protection					
3 kVA UPS (2U)	2	5PX3000iRTN	C20	(8) C13, (1) C19	ENERGY STAR compliant, high density UPS with redundancy for high availability. Provides 8 minutes of runtime at 1.5 kW load.
Power management software					
Energy management module for vCenter	1	Free web download			Manage power and enable VM live migration, Site Recovery Manager or Load Shedding from your vCenter console
Shutdown module for FAS storage	1	Free web download			Gracefully shutdown your NetApp storage during an extended power outage